

FINGERPRINT TIME ATTENDANCE



3" TFT high-definition
graphical interface



Built-in GPRS
(optional)



Built-in Wi-Fi
function (optional)

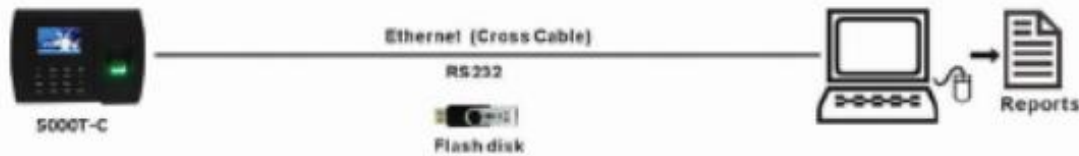


- Composite algorithm system with high speed operating.
- Embedded LINUX system, easy to integrate into various system.
- Standalone or network environment. 24 hours continuous operation available.
- Saves data during power outage.

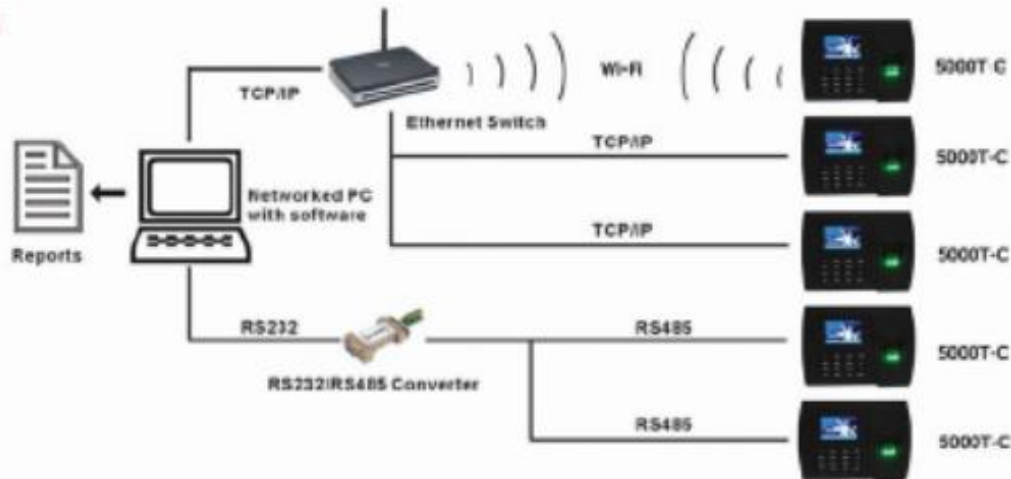
5000T-C

SKETCH DIAGRAM

Standalone



Network



SPECIFICATION

5000T-C

LCD Display

3" TFT high-definition graphical interface

Speaker

Voice prompt (language can be selected)

Capacity

Fingerprint: 3,000 Logs: 100,000

Verification

Verification speed (1:1) ≤ 0.5s

Identification speed (1:1) ≤ 1s

Identification

FRR ≤ 0.01% FAR ≤ 0.0001%

Attendance status

Check in/out; Break in/out; OT in/out

Communications

TCP/IP, RS232/485, USB Host/Client

Language

Multi language, English, French, Spanish, Arabic, Turkish, Portuguese, Czech, Hebrew, Slavic, Vietnamese etc., for more than 40 languages can be selected

Environment

Operation temperature: 0°C-45°C Operation humidity: 20%-80%

Power Supply

110/220 VAC - 8.5VDC/1.5A

Package info.

Machine size: 20.5(L)*14.5(W)*5(H)cm Unit packing: 28*23*10cm
Carton packing: 50*30*30cm Real weight: 1.2kg Volume weight: 1.5kg

Function support

Scheduled bell; T9 input; Workcode; SMS; Webserver; Auto status; DST

Customize Function

ID card reader; Mifare card reader; HID card reader; Wi-Fi module; GPRS module; Printer output; 9-PIN ID; External bell connection